

NOTE:
 - ALL POST AND RAILS TO BE POWDERED COATED BLACK ALUMINUM.
 - REFERENCE STRUCTURAL, CIVIL AND LANDSCAPE DRAWINGS FOR ADDITIONAL INFO.

Environetics
 Designing Environments That Work.

Environetics Group Architects P.C.
 180 Sylvan Avenue
 Englewood Cliffs, NJ 07632
 t 201 894 1000
 f 201 894 8903
 www.environetics.com

**MONTCLAIR STATE UNIVERSITY
 STONE HALL RENOVATION**

1 NORMAL AVE
 MONTCLAIR, NJ 07043

CLIENT: MONTCLAIR STATE UNIVERSITY

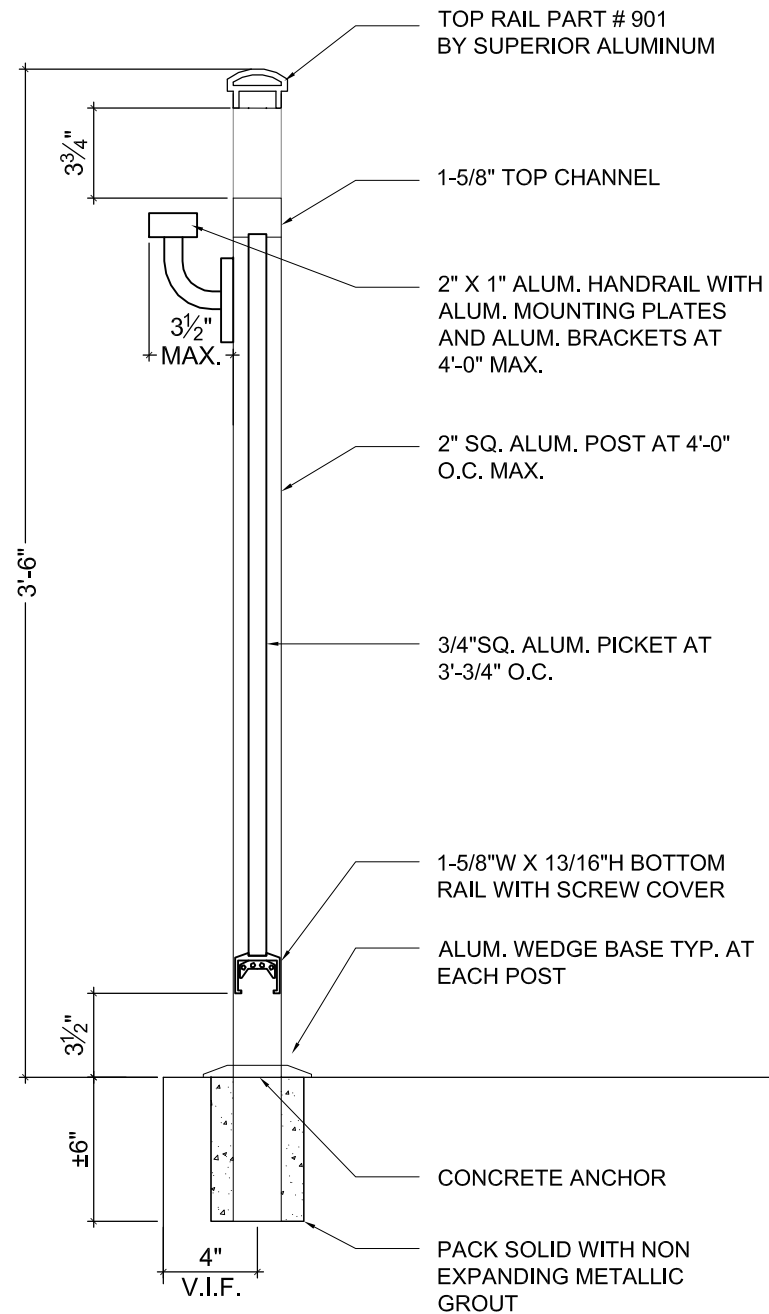
PROJ. NO.: 15087
 DRAWN BY: EM
 CHECKED BY: MP

SHEET TITLE:
**NEW GUARDRAIL
 AND HANDRAIL AT
 REAR PATIO**

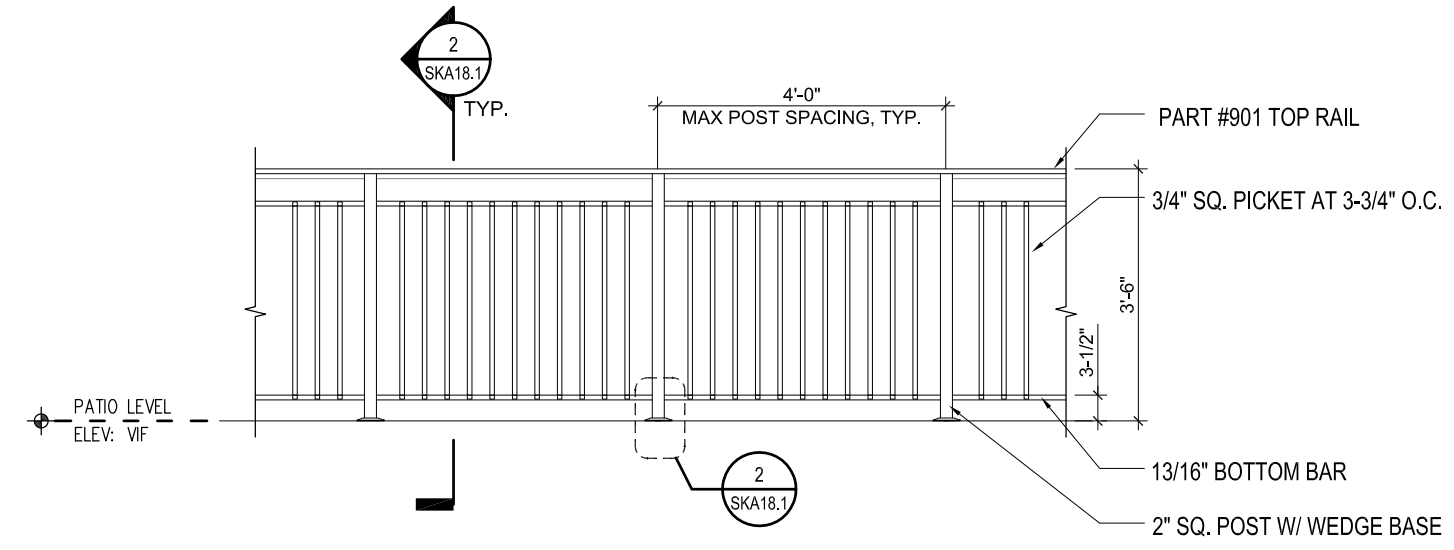
SCALE: AS NOTED
 REVISION:
 DATE: 06.22.2016
 REFERENCE:
 A101.00

SHEET NUMBER:
CA-SK 18.0

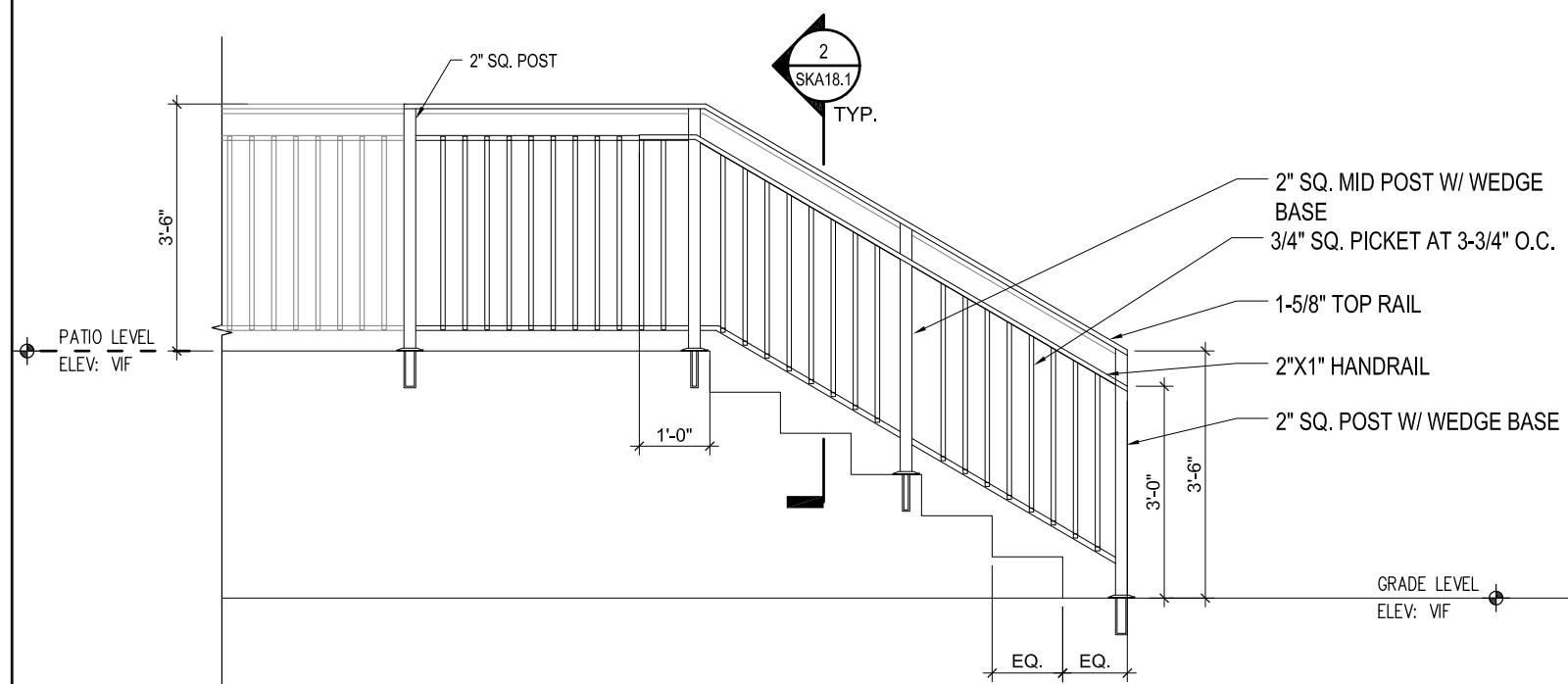
PATIO PLAN
 1/4" = 1'-0"



SECTION DETAIL 2
1 1/2" = 1'-0"



RAILING ELEVATION 1
3/8" = 1'-0"



RAILING ELEVATION 3
3/8" = 1'-0"

Environetics
 Designing Environments That Work.
 Environetics Group Architects P.C.
 180 Sylvan Avenue
 Englewood Cliffs, NJ 07632
 t 201 894 1000
 f 201 894 8903
 www.environetics.com

**MONTCLAIR STATE UNIVERSITY
 STONE HALL RENOVATION**
 1 NORMAL AVE
 MONTCLAIR, NJ 07043
 CLIENT: MONTCLAIR STATE UNIVERSITY

PROJ. NO.: 15087
 DRAWN BY: EM
 CHECKED BY: MP

SHEET TITLE:
**NEW GUARDRAIL
 AND HANDRAIL AT
 REAR PATIO**

NOTE:
 - ALL POST AND RAILS TO BE POWDERED COATED BLACK ALUMINUM.
 - REFERENCE STRUCTURAL, CIVIL AND LANDSCAPE DRAWINGS FOR ADDITIONAL INFO.

SCALE: AS NOTED
 REVISION:
 DATE: 06.22.2016
 REFERENCE:
 SK 18.0
 SHEET NUMBER:
CA-SK 18.1

