

Terminal Construction Corporation

Montclair State University
Center for Environmental and Life Sciences

Projectmates Transmittal Cover Sheet

Submittals Items

Category	095113-0104-a - reflected ceiling plan shop drawings (02 - Shop Drawings)	X Delete
	Attachments: CELS-Master RCP (00061907).pdf Open	
Edit Submittals Items		

Notes

Description •	reflected ceiling shop drawings Characters remaining: 1969
Certification	Terminal Construction: The Shop Drawings & Product Data Have Been Reviewed in Accordance With the Contract

ARCHITECT'S REVIEW STAMP

Architect's review is limited to checking for conformance with the design intent reflected in the Contract Documents. This review does not relieve the Contractor from compliance with the Drawings, Specifications or other project Contract Documents. This review does not authorize changes to the Contract Sum unless stated in a separate written form or Change Order.

Contractor shall confirm and correlate all quantities and dimensions, select fabrication processes and techniques of construction, coordinate his work with that of other trades, and perform his work in a safe and satisfactory manner.

Refer to requirements of the General and Supplementary General Conditions.

APPROVAL STATUS	RESPONSE REQUIRED OF CONTRACTOR
<input type="checkbox"/> APPROVED	<input type="checkbox"/> REVISE AND RESUBMIT
<input checked="" type="checkbox"/> APPROVED AS CORRECTED	<input type="checkbox"/> SUBMIT SPECIFIED ITEM
<input type="checkbox"/> NOT APPROVED	<input type="checkbox"/> RESUBMIT FOR RECORD WITH ALL CORRECTIONS INCORPORATED
<input type="checkbox"/> NO ACTION TAKEN	

S|L|A|M| Architects P.C.

By: J LaMothe Date: 4/14/14

CEILING DESCRIPTION:

ACP-1
 2' x 2' x 3/4" USG Mars ClimaPlus FLB #88985HRC
 3/8" USG DXI Identitee Grid #DX124HRC
 3/4" USG Wall Angle Molding #M7

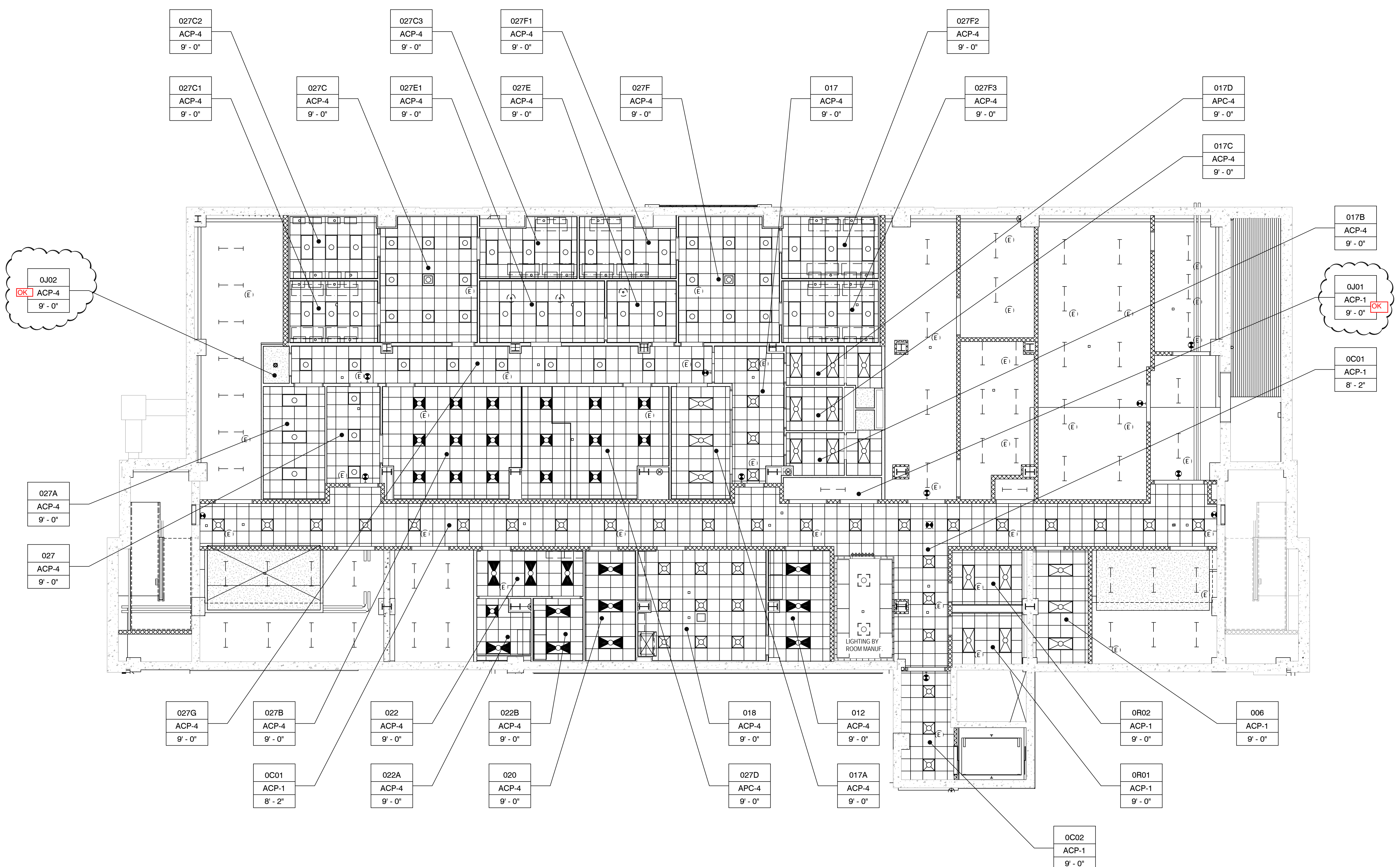
ACP-2
 NOT USED

ACP-3
 2' x 2' USG Clean Room ClimaPlus Square Edge #56099
 Polyester/Fiberglass Runners & Cross Tees
 3/8" USG AXCE Grid #AXCE26
 3/4" USG Wall Angle Molding #M7

ACP-4
 2' x 2' Life Science Gridlock Suspended 'SA' System w/ Polycore Panels
 Polyester/Fiberglass Runners & Cross Tees
 1-1/2" Life Science Gridlock Fiberglass Wall Angle

ACP-5
 2' x 4' x 3/4" USG Mars ClimaPlus FLB #88985HRC
 3/8" USG DXI Identitee Grid #DX124HRC
 3/4" USG Wall Angle Molding #M7

APPROVER PLEASE VERIFY WALL MOLDINGS



LEGEND :

DETAIL MARK	
SECTION	
TYPICAL DETAIL DESIGNATION TO REMAIN 'UON'	DETAIL NUMBER
ROOM NUMBER	xx
ROOM BOX	xx
CEILING TYPE	xx
CEILING HEIGHT	xx
CONFLICTS	
CEILING GRID CENTER LINE	
SEISMIC RESTRAINT	
2x2 RECESSED LIGHT	
2x4 RECESSED LIGHT	
RECESSED DOWNLIGHT	
2x2 RECESSED MOUNTED-DRY-LOCK	
2x4 RECESSED MOUNTED-DRY-LOCK	
SURFACE MOUNTED STRIP LIGHT	
COVE LIGHT	
LED COVE LIGHT	
6" x 48" LAY IN	
4" RECESSED SQUARE DOWNLIGHT	
6" RECESSED SQUARE DOWNLIGHT	
8" RECESSED SQUARE DOWNLIGHT	
CEILING MOUNTED PENDANT	
CEILING MOUNTED PENDANT	
PENDANT FIXTURE	
RECESSED DOWNLIGHT WITH FINS	
OVERHEAD PROJECTOR CEILING MOUNTED	
2X2 RECESSED MOUNTED-WET	
2X4 RECESSED MOUNTED-WET	
FOR REFERENCE ONLY:	
SPRINKLER	
EXIT SIGN	
MECHANICAL SUPPLY OR RETURN	
SECURITY CAMERA	
48" SLOT DIFFUSER	
CHILLED BEAM	
EMERGENCY LIGHT DESIGNATION	
SPEAKER	
STROBE LIGHT / SPEAKER FOR FIRE ALARM SYSTEM	
STROBE LIGHT FOR FIRE ALARM SYSTEM	
NOTES:	
1. ALL CEILING ARE CENTERED IN ROOM UNLESS OTHERWISE NOTED.	
2. LIGHT FIXTURES SHALL BE CENTERED WITHIN ROOMS UNLESS NOTED OTHERWISE	
3. ALL SOFFIT HEIGHTS SHALL BE 8'-0", UNLESS OTHERWISE NOTED.	
4. "EXPOSED" INDICATED NO CEILING, AREA IS EXPOSED TO DECK ABOVE.	

01 BASEMENT REFLECTED CEILING PLAN
 1/8" = 1'-0"

NO.	REVISIONS	DATE
	SUBMITTAL NO. 1	02/10/14

SLOAN & COMPANY, INC.
 39 FAIRFIELD PL., WEST CALDWELL, N.J. 07096
 PHONE: 973.267.9333 FAX: 973.267.9322

THIS PLAN FOR SLOAN & COMPANY, INC. ONLY. SLOAN & COMPANY, INC. IS NOT RESPONSIBLE FOR ITS USE BY ANY OTHER TRADE.

JOB NAME: NEW CENTER FOR ENVIRONMENTAL AND LIFE SCIENCES - MSU
 DRAWING TITLE: BASEMENT REFLECTED CEILING PLAN

MONTCLAIR STATE UNIVERSITY, MONTCLAIR, NJ
 SCALE: AS NOTED DATE: 01/10/2014 SLOAN JOB NO: 13-047
 DRAWN: KAPPA CHECKED: SLOAN REVISION: 0

100

CEILING DESCRIPTION:

ACP-1
 2' x 2' x 3/4" USG Mars ClimaPlus FLB #66985HRC
 3/4" USG DXI Identitee Grid #DX124HRC
 3/4" USG Wall Angle Molding #M7

ACP-2
 NOT USED

ACP-3
 2' x 2' USG Clean Room ClimaPlus Square Edge #56099
 Polyester/Fiberglass Runners & Cross Tees
 1 1/2" USG Wall Angle Molding #M7

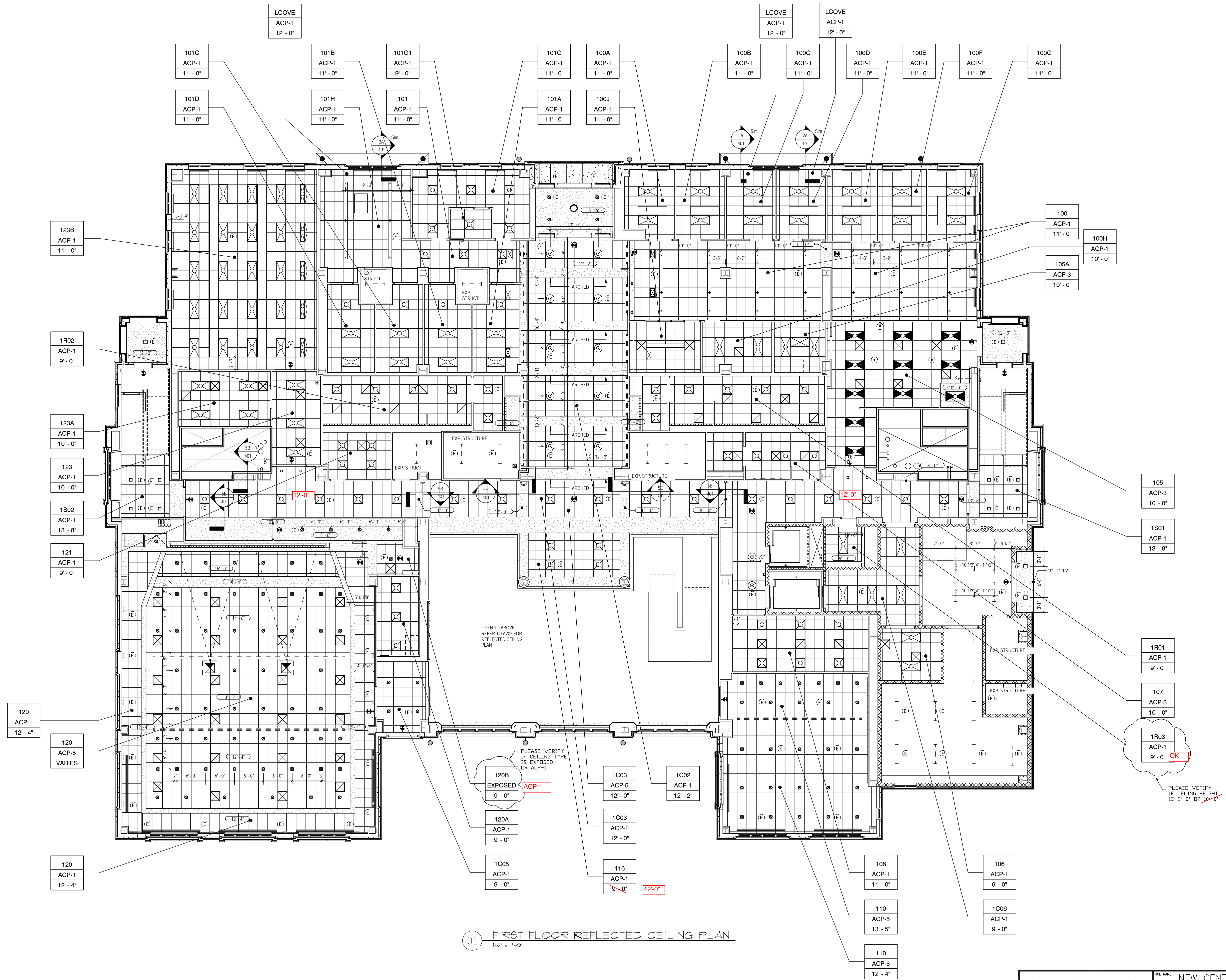
ACP-4
 2' x 2' Life Science Gridlock Suspended 'SA' System w/ Polycore Panels
 Polyester/Fiberglass Runners & Cross Tees
 1 1/2" Life Science Gridlock Fiberglass Wall Angle

ACP-5
 2' x 4' x 3/4" USG Mars ClimaPlus FLB #66985HRC
 3/4" USG DXI Identitee Grid #DX124HRC
 3/4" USG Wall Angle Molding #M7

APPROVER PLEASE VERIFY WALL MOLDINGS

LEGEND :

DETAIL MARK	
SECTION	
TYPICAL DETAIL DESIGNATION TO REMAIN 'UON'	
ROOM NUMBER	
ROOM BOX	
CEILING TYPE	
CEILING HEIGHT	
CONFLICTS	
CEILING GRID CENTER LINE	
SEISMIC RESTRAINT	
2x2 RECESSED LIGHT	
2x4 RECESSED LIGHT	
RECESSED DOWNLIGHT	
2x2 RECESSED MOUNTED DRY-LOCK	
2x4 RECESSED MOUNTED DRY-LOCK	
SURFACE MOUNTED STRIP LIGHT	
COVE LIGHT	
LED COVE LIGHT	
6" x 48" LAY IN	
4" RECESSED SQUARE DOWNLIGHT	
6" RECESSED SQUARE DOWNLIGHT	
8" RECESSED SQUARE DOWNLIGHT	
CEILING MOUNTED PENDANT	
CEILING MOUNTED PENDANT	
PENDANT FIXTURE	
RECESSED DOWNLIGHT WITH FINS	
OVERHEAD PROJECTOR CEILING MOUNTED	
2X2 RECESSED MOUNTED-WET	
2X4 RECESSED MOUNTED-WET	
FOR REFERENCE ONLY:	
SPRINKLER	
EXIT SIGN	
MECHANICAL SUPPLY OR RETURN	
SECURITY CAMERA	
48" SLOT DIFFUSER	
CHILLED BEAM	
EMERGENCY LIGHT DESIGNATION	
SPEAKER	
STROBE LIGHT / SPEAKER FOR FIRE ALARM SYSTEM	
STROBE LIGHT FOR FIRE ALARM SYSTEM	
NOTES:	
1. ALL CEILINGS ARE CENTERED IN ROOM UNLESS OTHERWISE NOTED.	
2. LIGHT FIXTURES SHALL BE CENTERED WITHIN ROOMS UNLESS NOTED OTHERWISE.	
3. ALL SOFFIT HEIGHTS SHALL BE 8'-0", UNLESS OTHERWISE NOTED.	
4. "EXPOSED" INDICATED NO CEILING AREA IS EXPOSED TO DECK ABOVE.	



SLOAN & COMPANY, INC. <small>39 FAIRFIELD PL. WEST CALDWELL, N.J. 07096 PHONE: 973.247.0333 FAX: 973.247.8622</small>	JOB NAME: NEW CENTER FOR ENVIRONMENTAL AND LIFE SCIENCES - MSU	DRAWING NO: 101
	DRAWING TITLE: FIRST FLOOR REFLECTED CEILING PLAN	SUBMITTAL NO. 1 02/10/14
THIS PLAN FOR SLOAN & COMPANY, INC. ONLY. SLOAN & COMPANY, INC. IS NOT RESPONSIBLE FOR ITS USE BY ANY OTHER TRADE.	DRAWN: KAPPA CHECKED: SLOAN	REVISIONS: 0

CEILING DESCRIPTION:

ACP-1
 2' x 2' x 3/4" USG Mars ClimaPlus FLB #88985HRC
 3/8" USG DXI Identitee Grid #DX124HRC
 1/2" USG Wall Angle Molding #M7

ACP-2
 NOT USED

ACP-3
 2' x 2' USG Clean Room ClimaPlus Square Edge #56099
 Polyester/Fiberglass Runners & Cross Tees
 1 1/2" Life Science Gridlock Fiberglass Wall Angle

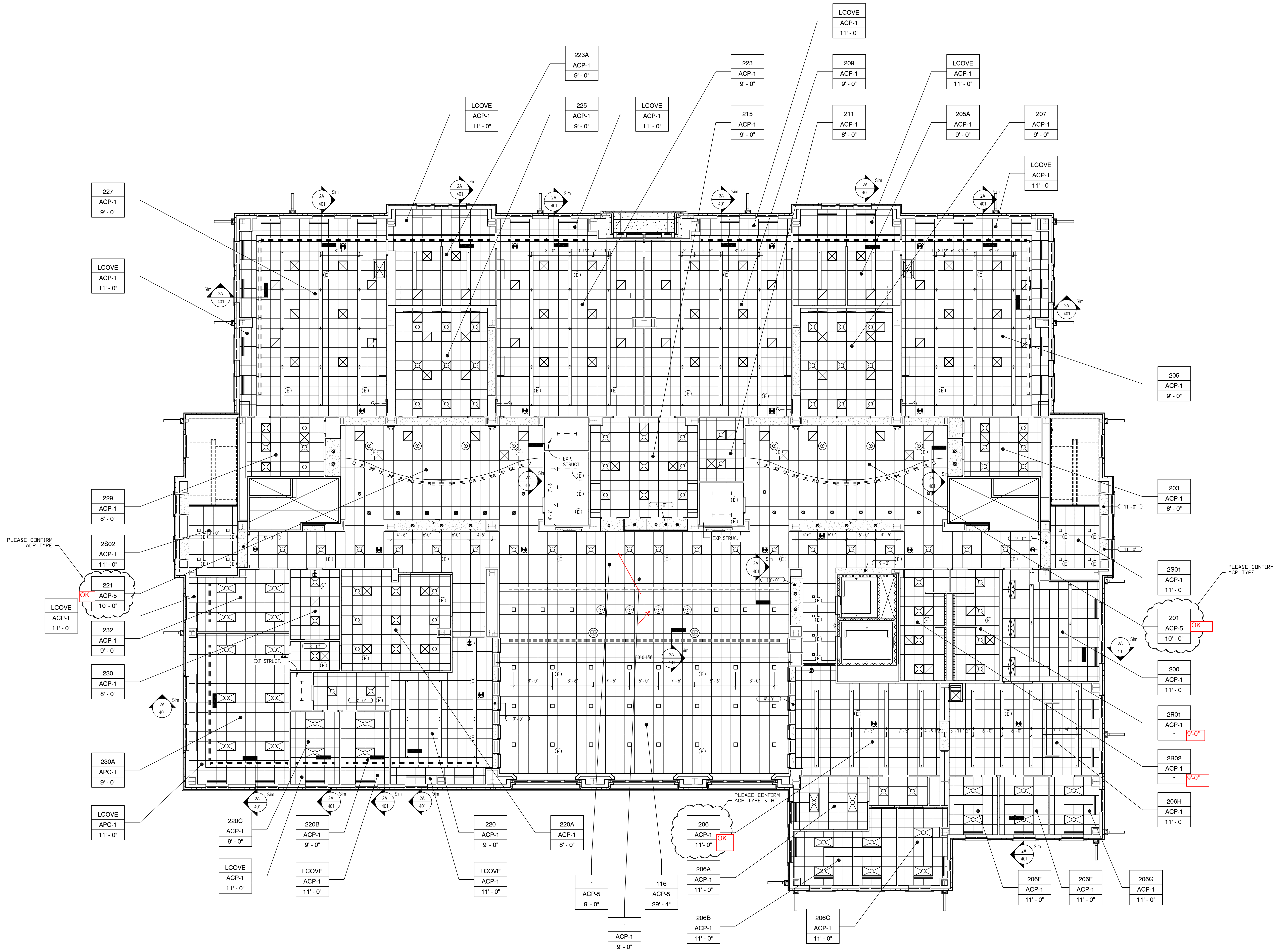
ACP-4
 2' x 2' Life Science Gridlock Suspended 'SA' System w/ Polycore Panels
 Polyester/Fiberglass Runners & Cross Tees
 1 1/2" Life Science Gridlock Fiberglass Wall Angle

ACP-5
 2' x 4' x 3/4" USG Mars ClimaPlus FLB #88985HRC
 3/8" USG DXI Identitee Grid #DX124HRC
 1/2" USG Wall Angle Molding #M7

APPROVER PLEASE VERIFY WALL MOLDINGS

LEGEND :

DETAIL MARK	
SECTION	
TYPICAL DETAIL DESIGNATION TO REMAIN 'UON'	
ROOM NUMBER	
ROOM BOX	
CEILING TYPE	
CEILING HEIGHT	
CONFLICTS	
CEILING GRID CENTER LINE	
SEISMIC RESTRAINT	
2x2 RECESSED LIGHT	
2x4 RECESSED LIGHT	
RECESSED DOWNLIGHT	
2x2 RECESSED MOUNTED DRY-LOCK	
2x4 RECESSED MOUNTED DRY-LOCK	
SURFACE MOUNTED STRIP LIGHT	
COVE LIGHT	
LED COVE LIGHT	
6" x 48" LAY IN	
4" RECESSED SQUARE DOWNLIGHT	
6" RECESSED SQUARE DOWNLIGHT	
8" RECESSED SQUARE DOWNLIGHT	
CEILING MOUNTED PENDANT	
CEILING MOUNTED PENDANT	
PENDANT FIXTURE	
RECESSED DOWNLIGHT WITH FINS	
OVERHEAD PROJECTOR CEILING MOUNTED	
2X2 RECESSED MOUNTED-WET	
2X4 RECESSED MOUNTED-WET	
FOR REFERENCE ONLY:	
SPRINKLER	
EXIT SIGN	
MECHANICAL SUPPLY OR RETURN	
SECURITY CAMERA	
48" SLOT DIFFUSER	
CHILLED BEAM	
EMERGENCY LIGHT DESIGNATION	
SPEAKER	
STROBE LIGHT / SPEAKER FOR FIRE ALARM SYSTEM	
STROBE LIGHT FOR FIRE ALARM SYSTEM	
NOTES:	
1. ALL CEILINGS ARE CENTERED IN ROOM UNLESS OTHERWISE NOTED.	
2. LIGHT FIXTURES SHALL BE CENTERED WITHIN ROOMS UNLESS NOTED OTHERWISE.	
3. ALL SOFFIT HEIGHTS SHALL BE 8'-0", UNLESS OTHERWISE NOTED.	
4. 'EXPOSED' INDICATED NO CEILING AREA IS EXPOSED TO DECK ABOVE.	



01 SECOND FLOOR REFLECTED CEILING PLAN
 1/8" = 1'-0"

NO.	REVISIONS	DATE
	SUBMITTAL NO. 1	02/10/14

SLOAN & COMPANY, INC.
 39 FAIRFIELD PL. WEST CALDWELL, N.J. 07096
 PHONE: 973.247.2333 FAX: 973.247.9422
 THIS PLAN FOR SLOAN & COMPANY, INC. ONLY. SLOAN & COMPANY, INC. IS NOT RESPONSIBLE FOR ITS USE BY ANY OTHER TRADE.

JOB NAME: NEW CENTER FOR ENVIRONMENTAL AND LIFE SCIENCES - MSU
DRAWING TITLE: SECOND FLOOR REFLECTED CEILING PLAN

MONTCLAIR STATE UNIVERSITY, MONTCLAIR, NJ
102
 SCALE: AS NOTED DATE: 01/10/2014 SLOAN JOB NO.: 13-047
 DRAWN: KAPPA CHECKED: SLOAN REVISION: 0

CEILING DESCRIPTION:

ACP-1
 2' x 2' x 3/4" USG Mars ClimaPlus FLB #68985HRC
 3/4" USG DXI Identitee Grid #DX124HRC
 3/4" USG Wall Angle Molding #M7

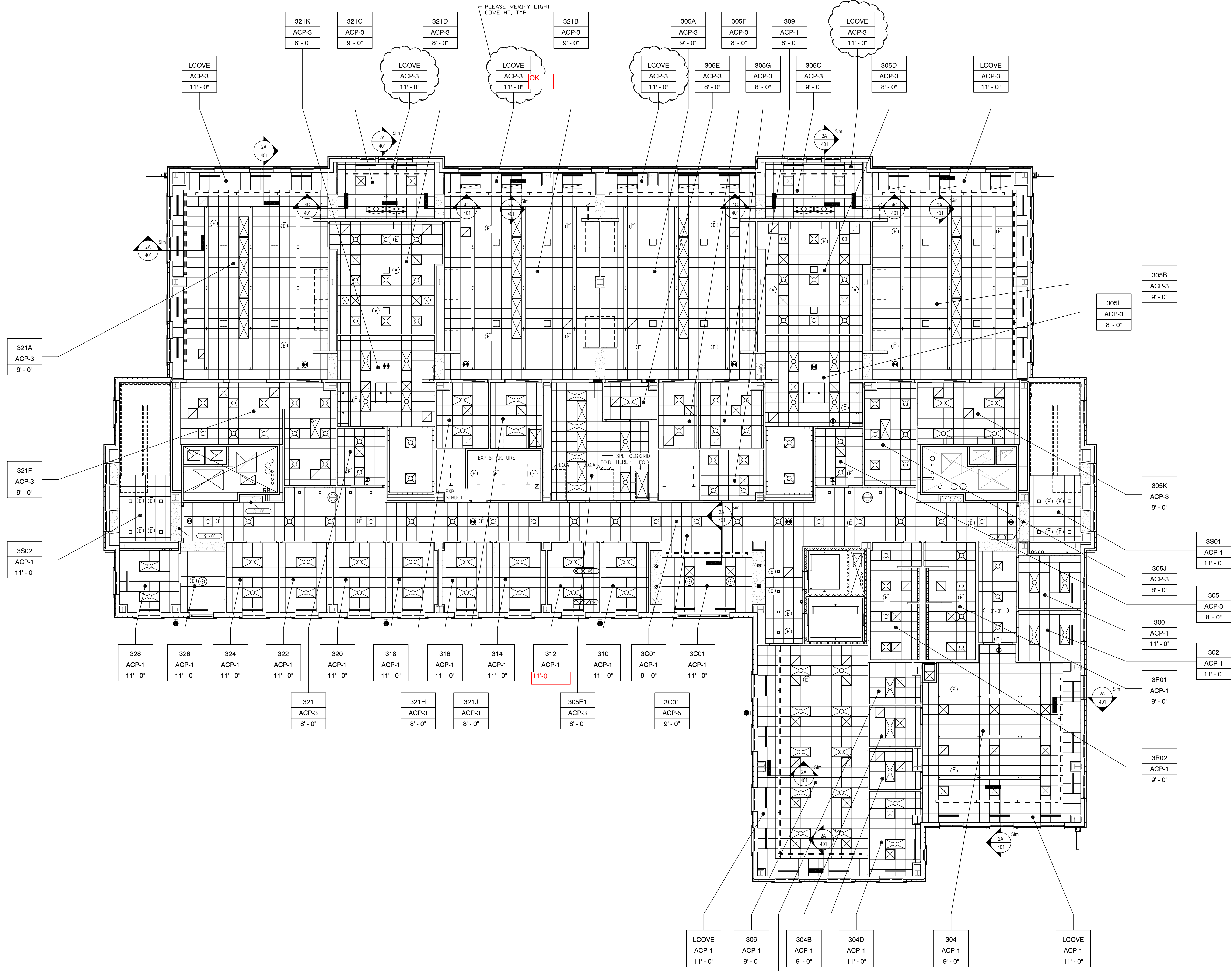
ACP-2
 NOT USED

ACP-3
 2' x 2' USG Clean Room ClimaPlus Square Edge #56099
 Polyester/Fiberglass Runners & Cross Tees
 3/4" USG AXCE Grid #AXCE26
 3/4" USG Wall Angle Molding #M7

ACP-4
 2' x 2' Life Science Gridlock Suspended 'SA' System w/ Polycore Panels
 Polyester/Fiberglass Runners & Cross Tees
 1 1/2" Life Science Gridlock Fiberglass Wall Angle

ACP-5
 2' x 4' x 3/4" USG Mars ClimaPlus FLB #68985HRC
 3/4" USG DXI Identitee Grid #DX124HRC
 3/4" USG Wall Angle Molding #M7

APPROVER PLEASE VERIFY WALL MOLDINGS



LEGEND :

DETAIL MARK	
SECTION	
TYPICAL DETAIL DESIGNATION TO REMAIN 'UON'	
ROOM NUMBER	
ROOM BOX	
CEILING TYPE	
CEILING HEIGHT	
CONFLICTS	
CEILING GRID CENTER LINE	
SEISMIC RESTRAINT	
2x2 RECESSED LIGHT	
2x4 RECESSED LIGHT	
RECESSED DOWNLIGHT	
2x2 RECESSED MOUNTED DRY-LOCK	
2x4 RECESSED MOUNTED DRY-LOCK	
SURFACE MOUNTED STRIP LIGHT	
COVE LIGHT	
LED COVE LIGHT	
6" x 48" LAY IN	
4" RECESSED SQUARE DOWNLIGHT	
6" RECESSED SQUARE DOWNLIGHT	
8" RECESSED SQUARE DOWNLIGHT	
CEILING MOUNTED PENDANT	
CEILING MOUNTED PENDANT	
PENDANT FIXTURE	
RECESSED DOWNLIGHT WITH FINS	
OVERHEAD PROJECTOR CEILING MOUNTED	
2X2 RECESSED MOUNTED-WET	
2X4 RECESSED MOUNTED-WET	
FOR REFERENCE ONLY:	
SPRINKLER	
EXIT SIGN	
MECHANICAL SUPPLY OR RETURN	
SECURITY CAMERA	
48" SLOT DIFFUSER	
CHILLED BEAM	
EMERGENCY LIGHT DESIGNATION	
SPEAKER	
STROBE LIGHT / SPEAKER FOR FIRE ALARM SYSTEM	
STROBE LIGHT FOR FIRE ALARM SYSTEM	
NOTES:	
1. ALL CEILING ARE CENTERED IN ROOM UNLESS OTHERWISE NOTED.	
2. LIGHT FIXTURES SHALL BE CENTERED WITHIN ROOMS UNLESS NOTED OTHERWISE	
3. ALL SOFFIT HEIGHTS SHALL BE 8'-0", UNLESS OTHERWISE NOTED.	
4. "EXPOSED" INDICATED NO CEILING AREA IS EXPOSED TO DECK ABOVE.	

01 THIRD FLOOR REFLECTED CEILING PLAN
 1/8" = 1'-0"

NO.	REVISIONS	DATE
	SUBMITTAL NO. 1	02/10/14

SLOAN & COMPANY, INC. <small>39 FAIRFIELD PK. WEST CALDWELL, N.J. 07006 PHONE: 973.247.0333 FAX: 973.247.8622</small>	JOB NAME: NEW CENTER FOR ENVIRONMENTAL AND LIFE SCIENCES - MSU	DRAWING NO. 103
	DRAWING TITLE: THIRD FLOOR REFLECTED CEILING PLAN	
SCALE: AS NOTED DRAWN: KAPPA	DATE: 01/10/2014 CHECKED: SLOAN	SLOAN JOB NO. 13-047 REVISION: 0

CEILING DESCRIPTION:

ACP-1
 2' x 2' x 3/4" USG Mars ClimaPlus FLB #88985HRC
 3/8" USG DXI Identitee Grid #DX124HRC
 1/2" USG Wall Angle Molding #M7

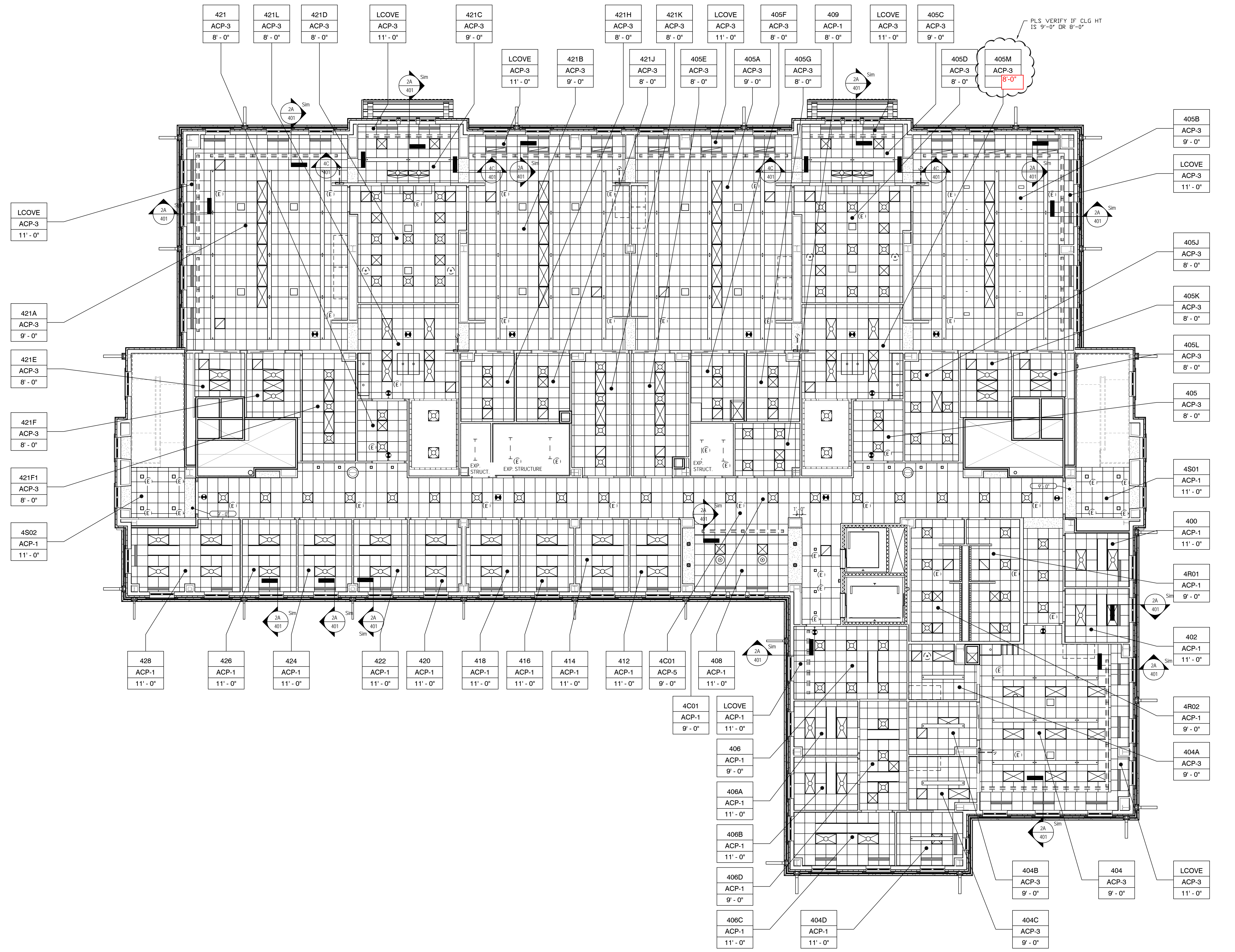
ACP-2
 NOT USED

ACP-3
 2' x 2' USG Clean Room ClimaPlus Square Edge #56099
 Polyester/Fiberglass Runners & Cross Tees
 1 1/2" Life Science Gridlock Fiberglass Wall Angle

ACP-4
 2' x 2' Life Science Gridlock Suspended 'SA' System w/ Polycore Panels
 Polyester/Fiberglass Runners & Cross Tees
 1 1/2" Life Science Gridlock Fiberglass Wall Angle

ACP-5
 2' x 4' x 3/4" USG Mars ClimaPlus FLB #88985HRC
 3/8" USG DXI Identitee Grid #DX124HRC
 1/2" USG Wall Angle Molding #M7

APPROVER PLEASE VERIFY WALL MOLDINGS



LEGEND :

DETAIL MARK	
SECTION	
TYPICAL DETAIL DESIGNATION TO REMAIN 'UON'	
ROOM NUMBER	
ROOM BOX	
CEILING TYPE	
CEILING HEIGHT	
CONFLICTS	
CEILING GRID CENTER LINE	
SEISMIC RESTRAINT	
2x2 RECESSED LIGHT	
2x4 RECESSED LIGHT	
RECESSED DOWNLIGHT	
2x2 RECESSED MOUNTED DRY-LOCK	
2x4 RECESSED MOUNTED DRY-LOCK	
SURFACE MOUNTED STRIP LIGHT	
COVE LIGHT	
LED COVE LIGHT	
6" x 48" LAY IN	
4" RECESSED SQUARE DOWNLIGHT	
6" RECESSED SQUARE DOWNLIGHT	
8" RECESSED SQUARE DOWNLIGHT	
CEILING MOUNTED PENDANT	
CEILING MOUNTED PENDANT	
PENDANT FIXTURE	
RECESSED DOWNLIGHT WITH FINS	
OVERHEAD PROJECTOR CEILING MOUNTED	
2X2 RECESSED MOUNTED-WET	
2X4 RECESSED MOUNTED-WET	
FOR REFERENCE ONLY:	
SPRINKLER	
EXIT SIGN	
MECHANICAL SUPPLY OR RETURN	
SECURITY CAMERA	
48" SLOT DIFFUSER	
CHILLED BEAM	
EMERGENCY LIGHT DESIGNATION	
SPEAKER	
STROBE LIGHT / SPEAKER FOR FIRE ALARM SYSTEM	
STROBE LIGHT FOR FIRE ALARM SYSTEM	
NOTES:	
1. ALL CEILINGS ARE CENTERED IN ROOM UNLESS OTHERWISE NOTED.	
2. LIGHT FIXTURES SHALL BE CENTERED WITHIN ROOMS UNLESS NOTED OTHERWISE.	
3. ALL SOFFIT HEIGHTS SHALL BE 8'-0", UNLESS OTHERWISE NOTED.	
4. "EXPOSED" INDICATED NO CEILING, AREA IS EXPOSED TO DECK ABOVE.	

01 FOURTH FLOOR REFLECTED CEILING PLAN
 1/8" = 1'-0"

SLOAN & COMPANY, INC. <small>39 FAIRFIELD PL. WEST CALDWELL, N.J. 07096 PHONE: 973.247.0333 FAX: 973.247.8422</small> THIS PLAN FOR SLOAN & COMPANY, INC. ONLY. SLOAN & COMPANY, INC. IS NOT RESPONSIBLE FOR ITS USE BY ANY OTHER TRADE.	JOB NAME: NEW CENTER FOR ENVIRONMENTAL AND LIFE SCIENCES - MSU DRAWING TITLE: FOURTH FLOOR REFLECTED CEILING PLAN	SUBMITTAL NO. 1 DATE: 02/10/14
	No. REVISIONS DATE	DRAWING NO. 104 SCALE: AS NOTED DATE: 01/10/2014 SLOAN JOB NO. 13-047 DRAWN: KAPPA CHECKED: SLOAN REVISION: 0

CEILING DESCRIPTION:

ACP-1
 2' x 2' x 3/4" USG Mars ClimaPlus FLB #88985HRC
 3/8" USG DXI Identitee Grid #DX124HRC
 3/4" USG Wall Angle Molding #M7

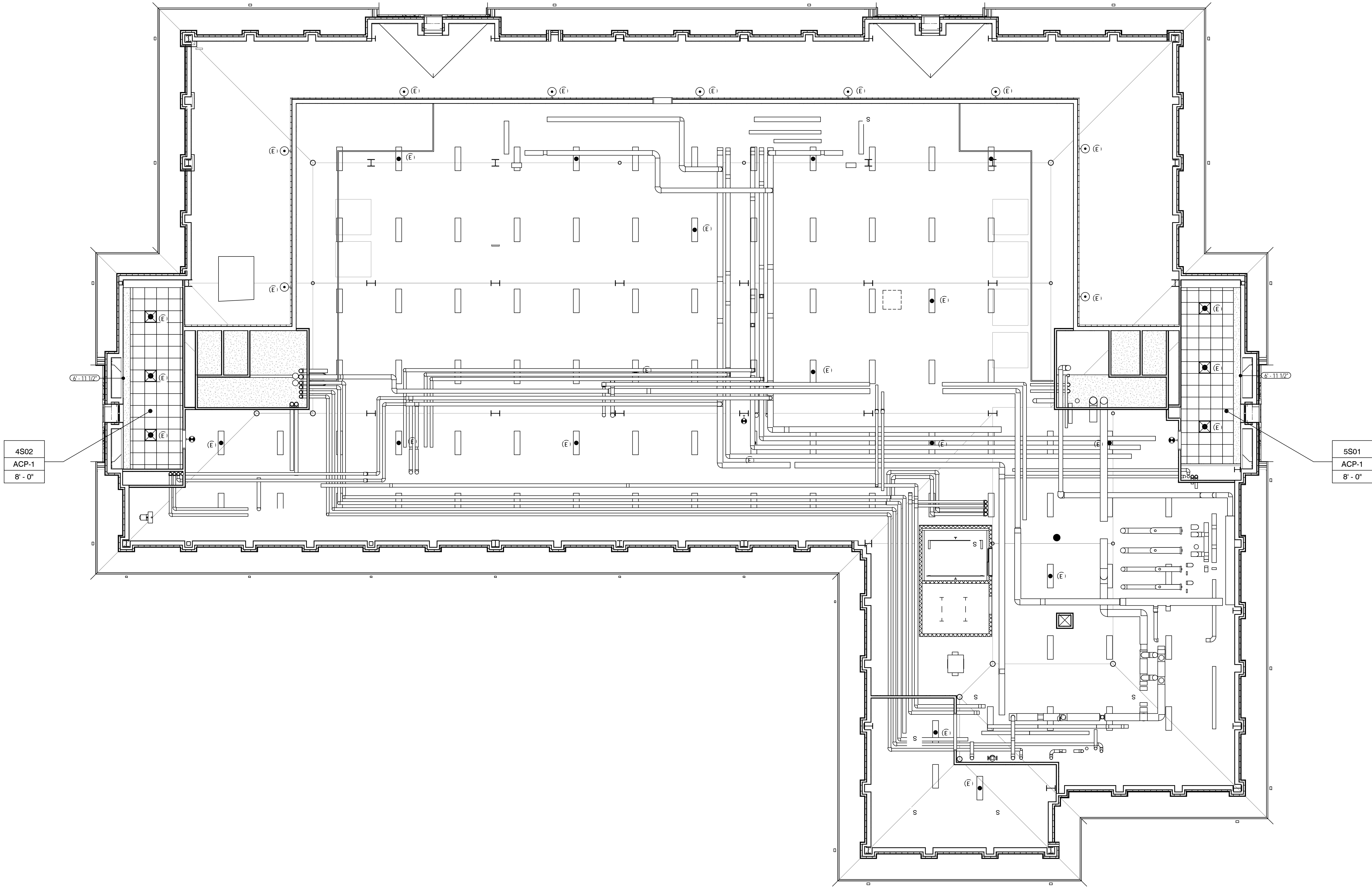
ACP-2
 NOT USED

ACP-3
 2' x 2' x 3/4" USG Clean Room ClimaPlus Square Edge #56099
 Polyester/Fiberglass Runners & Cross Tees
 3/8" USG AXCE Grid #AXCE26
 3/4" USG Wall Angle Molding #M7

ACP-4
 2' x 2' Life Science Gridlock Suspended 'SA' System w/ Polycore Panels
 Polyester/Fiberglass Runners & Cross Tees
 1-1/2" Life Science Gridlock Fiberglass Wall Angle

ACP-5
 2' x 4' x 3/4" USG Mars ClimaPlus FLB #88985HRC
 3/8" USG DXI Identitee Grid #DX124HRC
 3/4" USG Wall Angle Molding #M7

APPROVER PLEASE VERIFY WALL MOLDINGS



LEGEND :

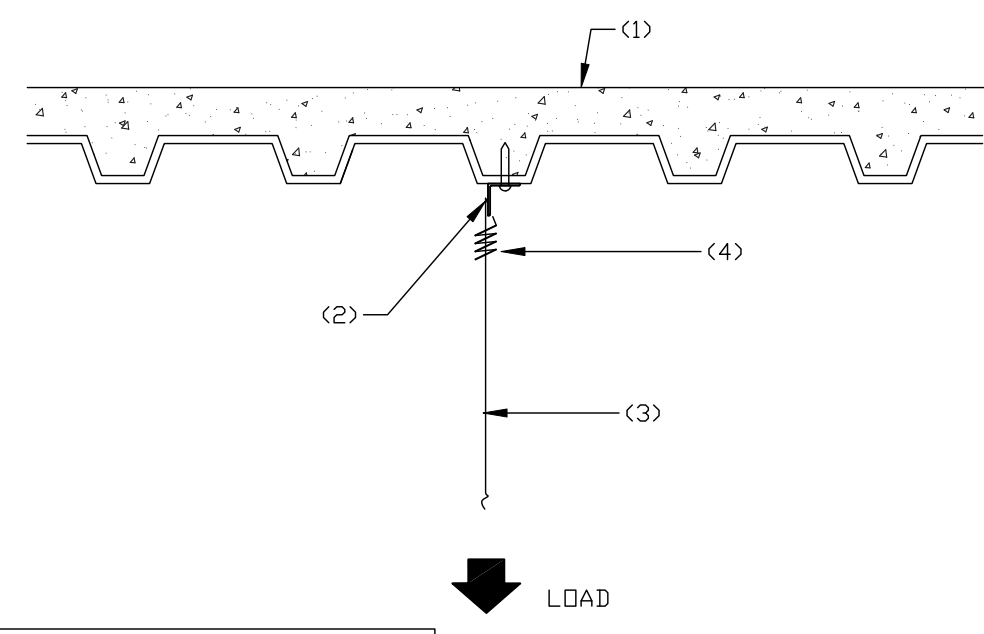
DETAIL MARK	
SECTION	
TYPICAL DETAIL DESIGNATION TO REMAIN 'UON'	
ROOM NUMBER	
ROOM BOX	
CEILING TYPE	
CEILING HEIGHT	
CONFLICTS	
CEILING GRID CENTER LINE	
SEISMIC RESTRAINT	
2x2 RECESSED LIGHT	
2x4 RECESSED LIGHT	
RECESSED DOWNLIGHT	
2x2 RECESSED MOUNTED DRY-LOCK	
2x4 RECESSED MOUNTED DRY-LOCK	
SURFACE MOUNTED STRIP LIGHT	
COVE LIGHT	
LED COVE LIGHT	
6" x 48" LAY IN	
4" RECESSED SQUARE DOWNLIGHT	
6" RECESSED SQUARE DOWNLIGHT	
8" RECESSED SQUARE DOWNLIGHT	
CEILING MOUNTED PENDANT	
CEILING MOUNTED PENDANT	
PENDANT FIXTURE	
RECESSED DOWNLIGHT WITH FINS	
OVERHEAD PROJECTOR CEILING MOUNTED	
2X2 RECESSED MOUNTED-WET	
2X4 RECESSED MOUNTED-WET	
FOR REFERENCE ONLY:	
SPRINKLER	
EXIT SIGN	
MECHANICAL SUPPLY OR RETURN	
SECURITY CAMERA	
48" SLOT DIFFUSER	
CHILLED BEAM	
EMERGENCY LIGHT DESIGNATION	
SPEAKER	
STROBE LIGHT / SPEAKER FOR FIRE ALARM SYSTEM	
STROBE LIGHT FOR FIRE ALARM SYSTEM	
NOTES:	
1. ALL CEILINGS ARE CENTERED IN ROOM UNLESS OTHERWISE NOTED.	
2. LIGHT FIXTURES SHALL BE CENTERED WITHIN ROOMS UNLESS NOTED OTHERWISE	
3. ALL SOFFIT HEIGHTS SHALL BE 8'-0", UNLESS OTHERWISE NOTED.	
4. "EXPOSED" INDICATED NO CEILING, AREA IS EXPOSED TO DECK ABOVE.	

01 PENTHOUSE REFLECTED CEILING PLAN
 1/8" = 1'-0"

SLOAN & COMPANY, INC. <small>39 FAIRFIELD PL. WEST CALDWELL, N.J. 07096 PHONE: 973-247-0333 FAX: 973-247-9422</small> THIS PLAN FOR SLOAN & COMPANY, INC. ONLY. SLOAN & COMPANY, INC. IS NOT RESPONSIBLE FOR ITS USE BY ANY OTHER TRADE.	JOB NAME: NEW CENTER FOR ENVIRONMENTAL AND LIFE SCIENCES - MSU DRAWING TITLE: PENTHOUSE REFLECTED CEILING PLAN	SUBMITTAL NO. 1 DATE: 02/10/14
	SCALE: AS NOTED DATE: 01/10/2014 DRAWN: KAPPA CHECKED: SLOAN	MONTCLAIR STATE UNIVERSITY, MONTCLAIR, NJ 105 SCALE: AS NOTED DATE: 01/10/2014 DRAWN: KAPPA CHECKED: SLOAN

NOTES:

- EXISTING CONCRETE TOPPING OVER METAL DECK
- ANGLE CLIP ASSEMBLY BY RAWL DR HILTI
- 12 GA HANGING DR BRACING WIRE AS OCCURS
- THREE (3) TWISTS MIN IN A MAX OF 6"

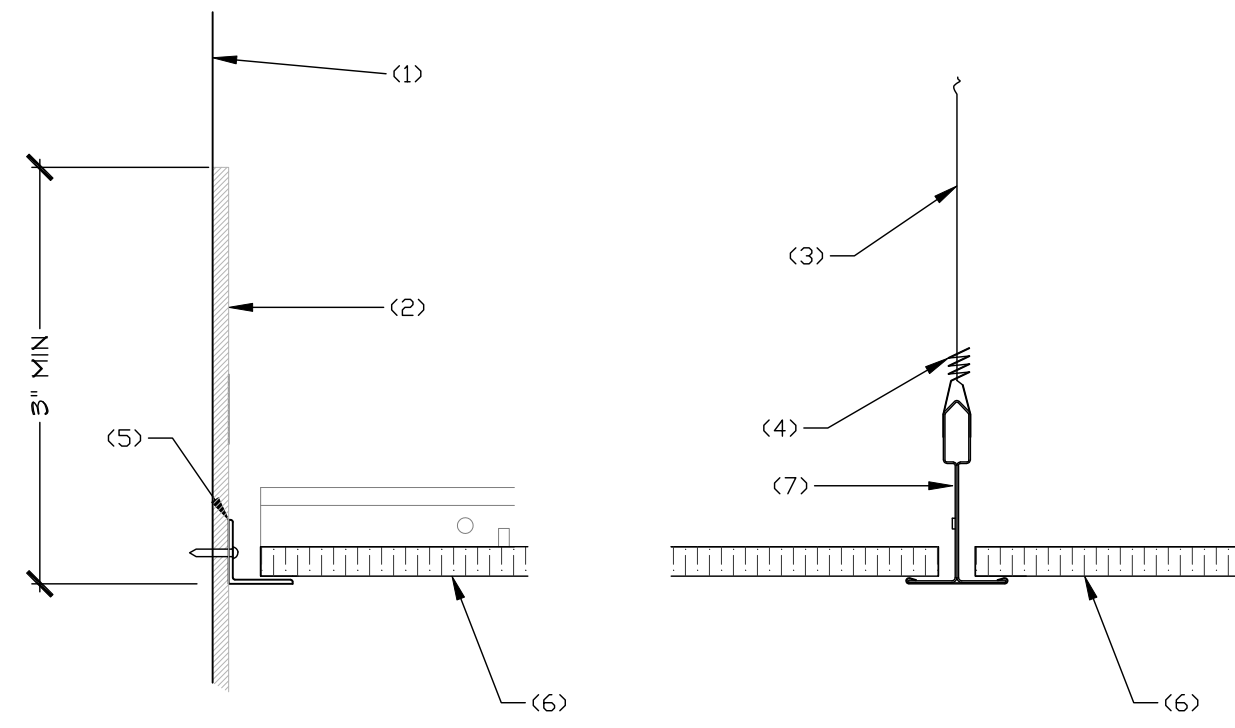


NOTE:
INSTALLER TO NOTIFY PROJECT MGR AND KAPPA IF ATTACHMENT IS TO BE MADE WHERE FLOOR SLAB BIRTH 1/4" THICK AT HOLLOW CORE PRECAST PLANK OR POST TENSIONED DECK

405 TYP AGT CEILING HANGER CLIP AT COMPOSITE DECK
NOT TO SCALE

NOTES:

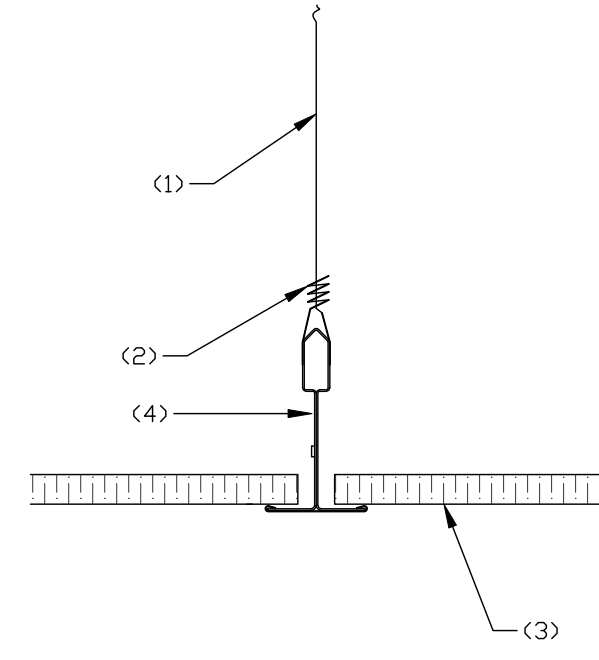
- ROUGH WALL BY OTHERS
- FINISHED WALL BY OTHERS
- 12 GA HANGING DR BRACING WIRE AS OCCURS
- THREE (3) TWISTS MIN IN A MAX OF 6"
- WALL ANGLE MOLDING SEE CEILING NOTES FOR TYPE. ATTACH PER MFR RECOMMENDATIONS AT 16" O/C & BOTH SIDES OF BUTT JOINT
- CEILING PANEL SEE CEILING NOTES FOR TYPE
- MAIN EXPOSED TEE BAR DR CROSS TEE



404 TYPICAL ACOUSTICAL CEILING AT MAIN TEE
NOT TO SCALE

NOTES:

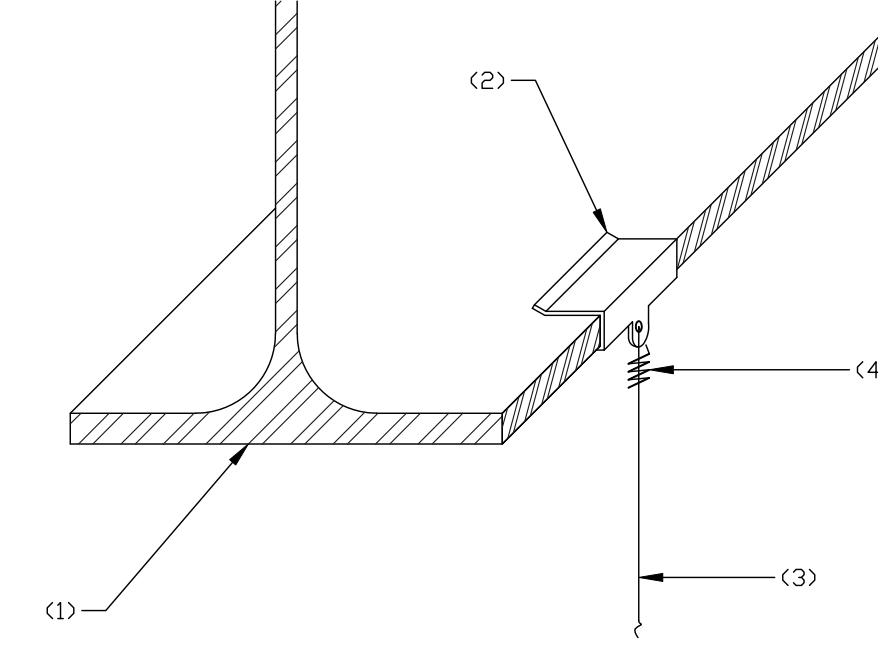
- 12 GA HANGING DR BRACING WIRE AS OCCURS
- THREE (3) TWISTS MIN IN A MAX OF 6"
- CEILING PANEL, SEE CEILING NOTES FOR TYPE
- MAIN EXPOSED TEE BAR



403 TYPICAL ACOUSTICAL CEILING AT MAIN TEE
NOT TO SCALE

NOTES:

- STRUCTURAL STEEL BY OTHERS
- FLANGE CLAMP
- 12 GA HANGING DR BRACING WIRE AS OCCURS
- THREE (3) TWISTS MIN IN A MAX OF 6"



402 TYPICAL ACOUSTICAL CEILING FLANGE CLAMP
NOT TO SCALE

PROJECT NOTES:
SEISMIC DESIGN CATEGORY = B
SITE CLASS = "C"
OCCUPANCY CATEGORY = III
KAPPA PROJECT NO. 14-101
SLDAN PROJECT NO. 1 -
MONTCLAIR STATE UNIV.
MONTCLAIR, NJ

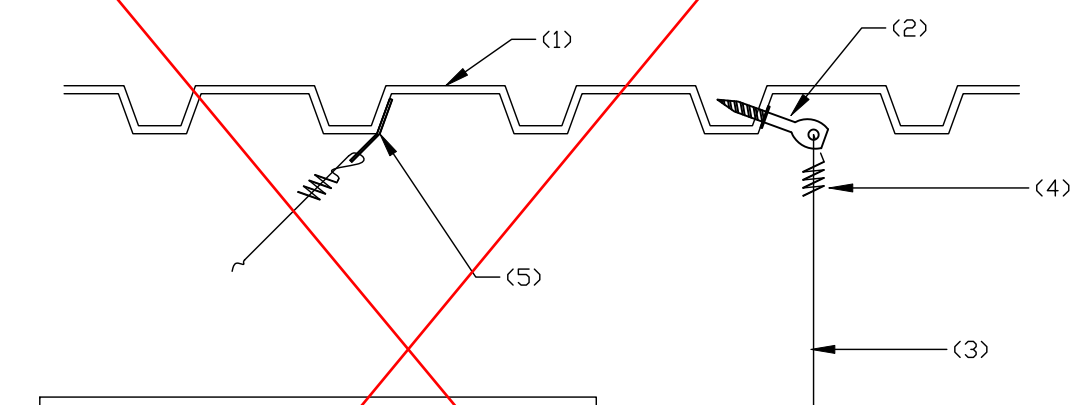
ACOUSTIC CEILING SEISMIC DETAILING

- ALL CEILINGS TO BE INSTALLED AS PER MFR SPECIFICATION
- CEILINGS IN SEISMIC DESIGN CATEGORY B OR LESS SHALL NOT BE RESTRAINED BY BRACING WIRES OR OTHER SIMILAR METHODS. CEILINGS SHALL BE FREE TO ACCOMMODATE THE MOVEMENT OF THE STRUCTURE IN A SEISMIC EVENT.
- LIGHT FIXTURES ARE TO BE INDEPENDENTLY SUPPORTED.
- CEILING SYSTEMS SHALL NOT PROVIDE LATERAL SUPPORT FOR PERMANENT DR PARTITIONS THAT CAN BE RELOCATED. INSTALLER SHALL NOTIFY PROJECT MANAGER AND KAPPA OF ANY SUCH OCCURRENCE.
- THE MAIN RUNNER/CROSS RUNNER INTERSECTIONS AND ALL GRID SPLICES MUST HAVE AN AVERAGE ULTIMATE TEST STRENGTH OF 60 LBS DR MORE BOTH IN TENSION AND COMPRESSION.
- CEILING INSTALLATION SHALL BE IN ACCORDANCE WITH THE REQUIREMENTS OF THE NJ ED OF INTERNATIONAL BUILDING CODE, CISCA FOR SEISMIC ZONE 0-2, ASTM C635 & C636 AND ASCE 7.

401 PROJECT SEISMIC DETAILING NOTES
NOT TO SCALE

NOTES:

- METAL ROOF DECK 20 GAUGE MINIMUM
- I-LAG BRAND EYE LAG SCREW W/ ICBD RATING
INSTALL VERTICAL DR AT 45 DEGREES. THREE FULL THREADS SHALL PROTRUDE THROUGH THE BASE MATERIAL.
- 12 GA HANGING DR BRACING WIRE AS OCCURS
- THREE (3) TWISTS MIN IN A MAX OF 6"
- STEEL STRAP 3" WIDE x 4" LONG 12GA ATTACH WITH (2) #12 TEK SCREWS.



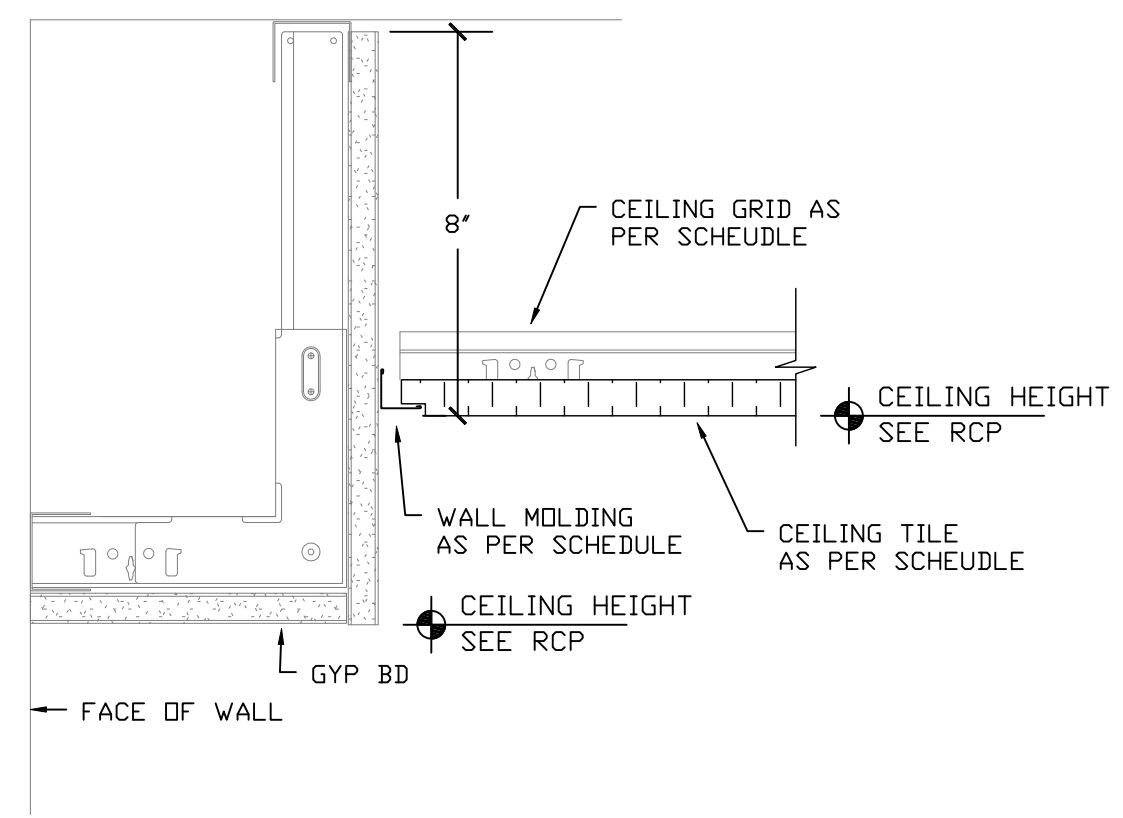
NOTE:
DETAIL ONLY TO BE USED WHEN STRUCTURAL BEAM DR JOIST IS NOT AVAILABLE FOR ATTACHMENT. MIN METAL DECK THICKNESS SHALL BE 20 GAUGE. CONTRACTOR SHALL TAKE EXTREME CAUTION WHEN USING THIS DETAIL AND SHOULD ONLY UTILIZE WHEN ALL OTHER METHODS ARE UNAVAILABLE. INSTALLER TO OBTAIN APPROVAL FOR USE OF THIS DETAIL BY ENGINEER DR ARCHITECT OF RECORD

406 TYP AGT CEILING I-LAG FASTENER @ METAL ROOF DECK
NOT TO SCALE

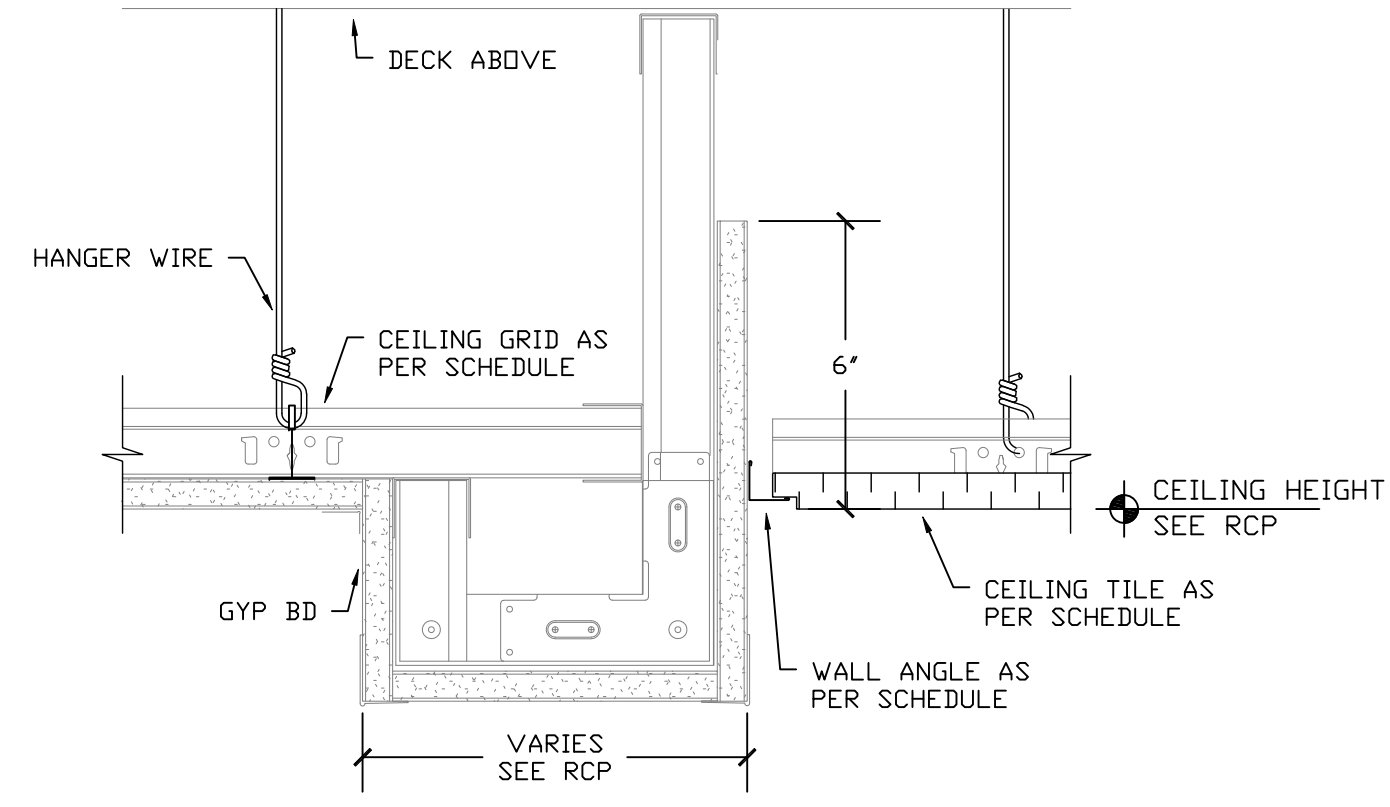
Attaching to the roof deck is NOT allowable

NO.	REVISIONS	DATE
-	SUBMITTAL NO. 1	02/10/14

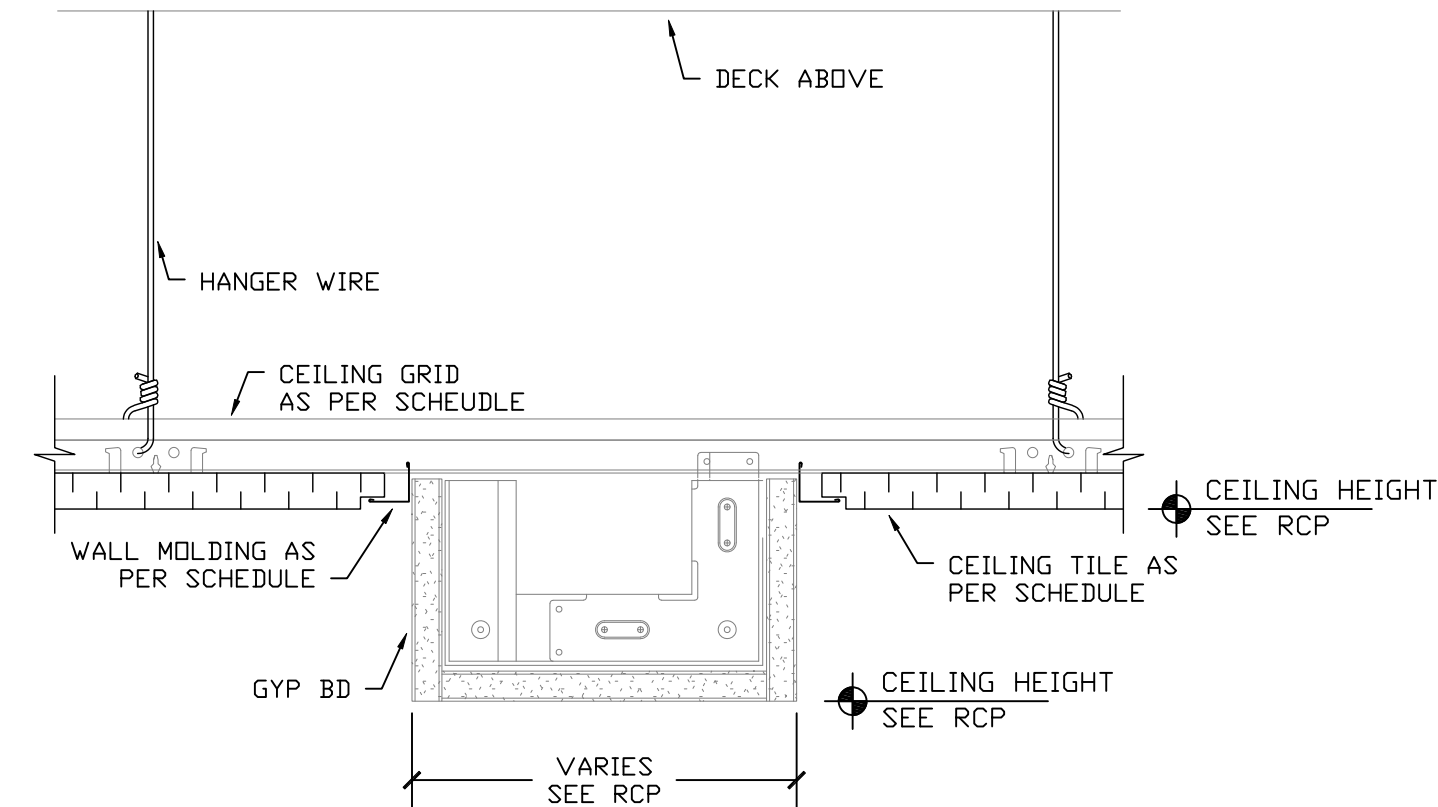
SLOAN & COMPANY, INC. <small>39 FAIRFIELD PL. WEST CALDWELL, N.J. 07096 PHONE: 973.817.0333 FAX: 973.817.9622</small>	JOB NAME: NEW CENTER FOR ENVIRONMENTAL AND LIFE SCIENCES - MSU	DRAWING NO: 400
	DRAWING TITLE: REFLECTED CEILING PLAN DETAILS	SCALE: AS NOTED DATE: 01/10/2014 DRAWN: KAPPA CHECKED: SLOAN



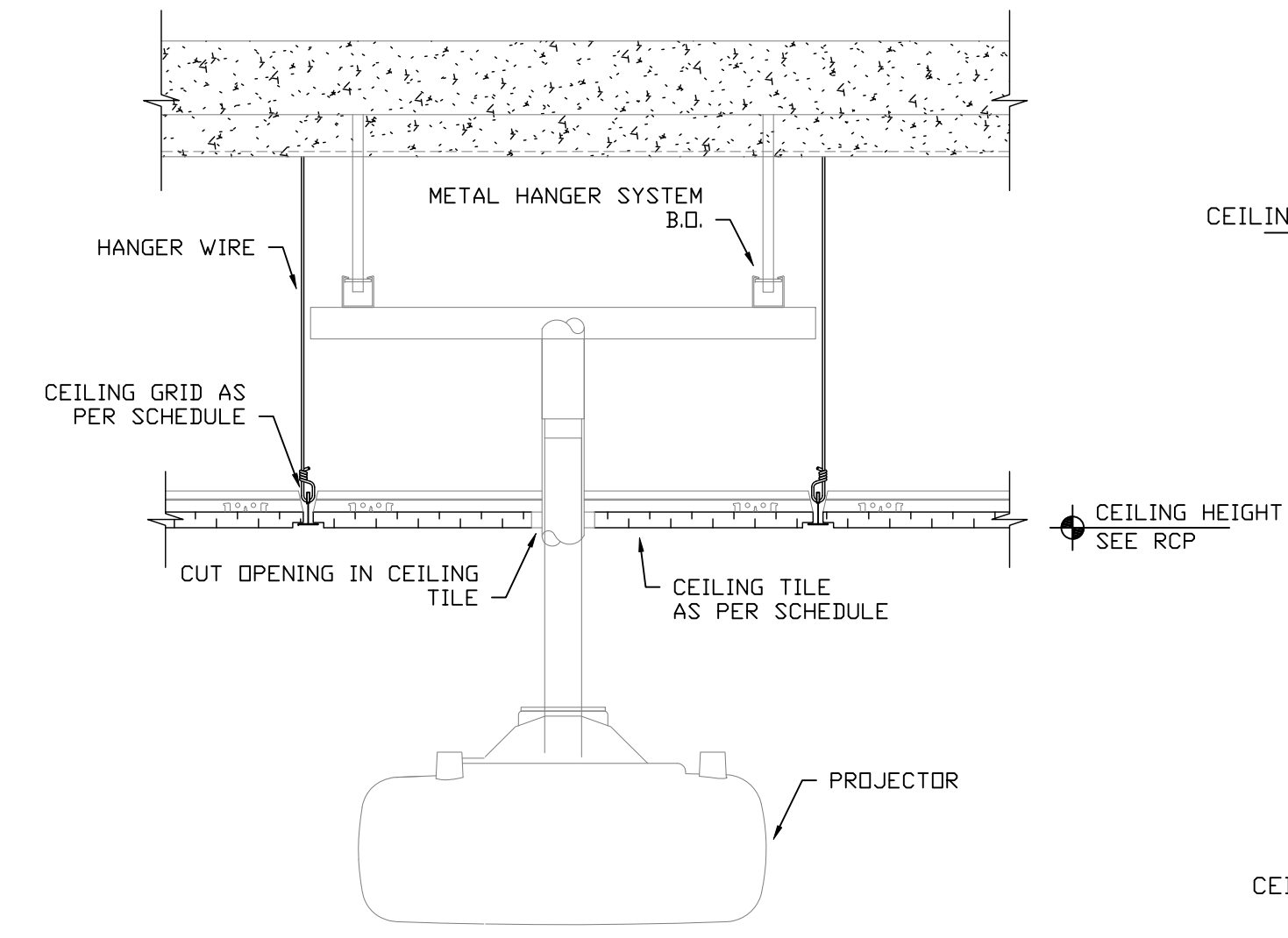
5B TYP ACT CEILING DETAIL
3/4"=1'-0"



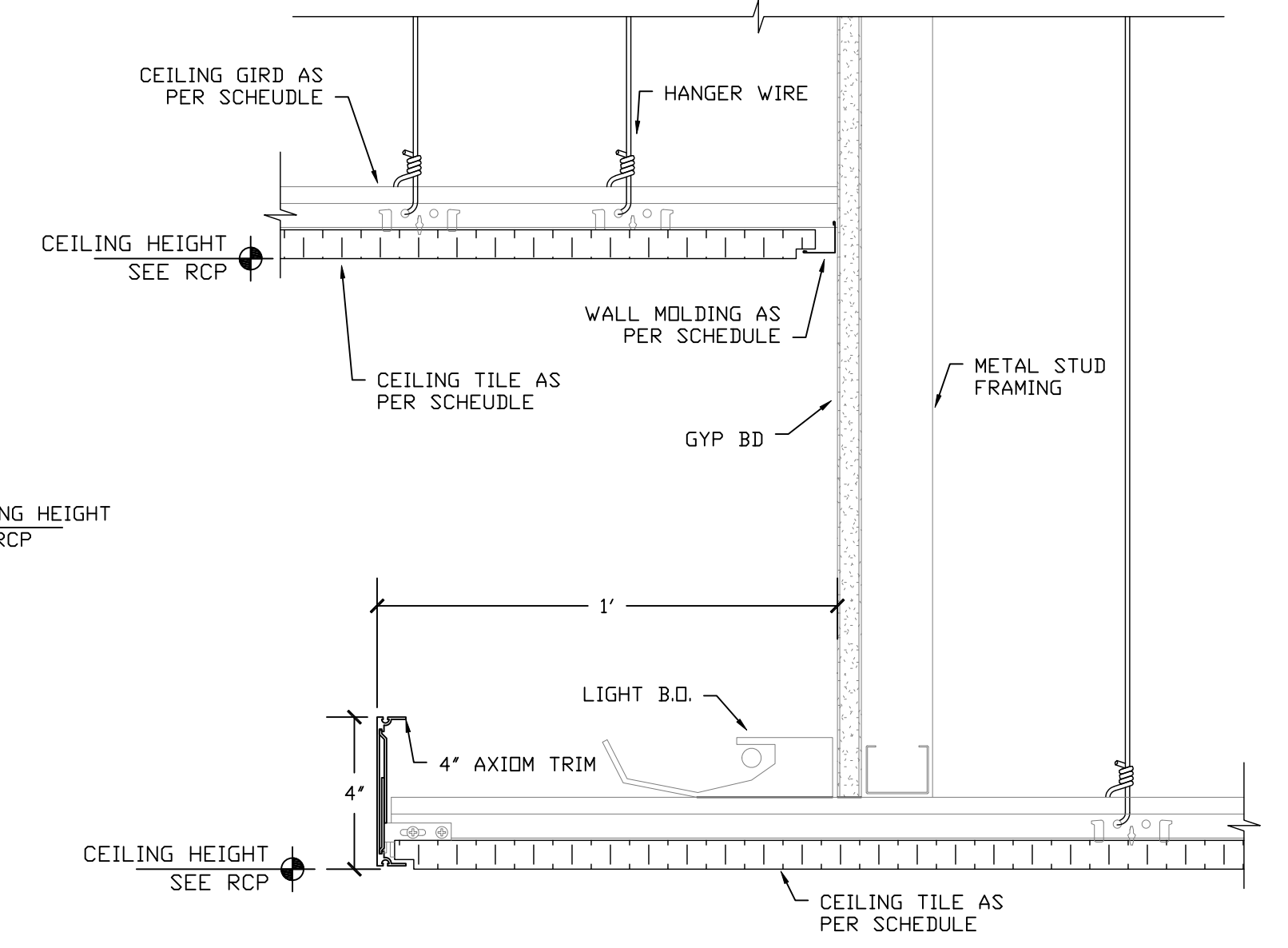
4D TYP ACT CEILING DETAIL
3/4"=1'-0"



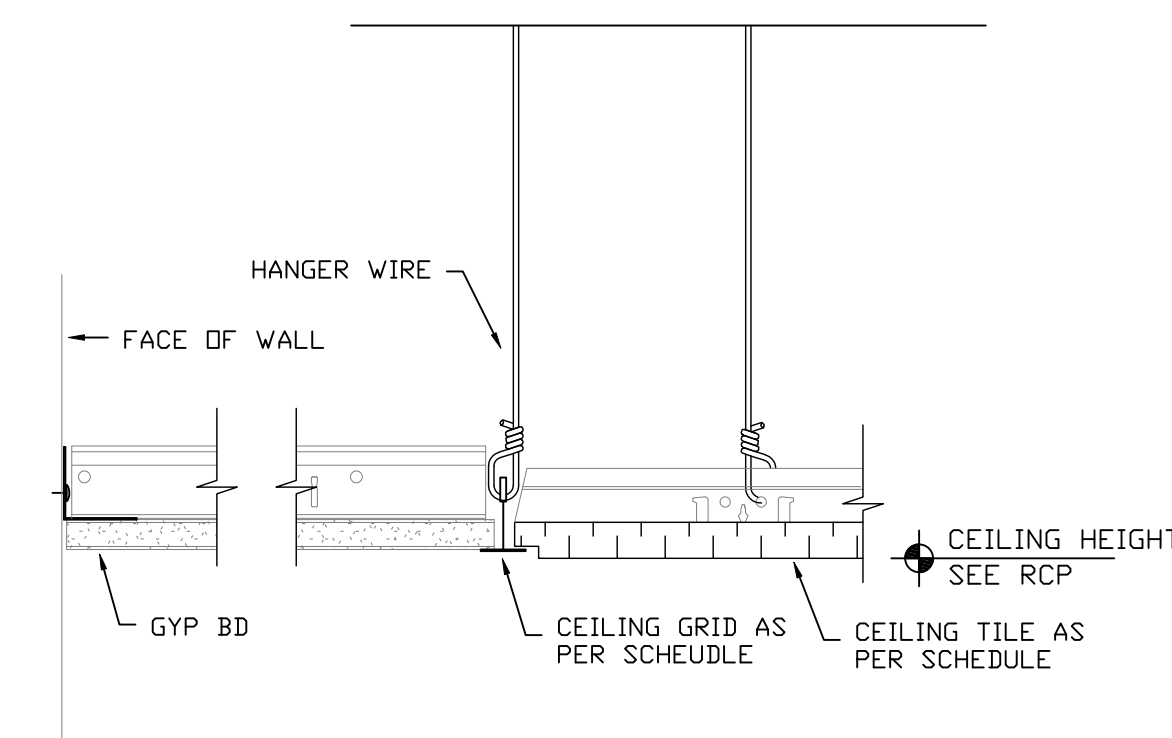
4C TYP ACT CEILING DETAIL
3/4"=1'-0"



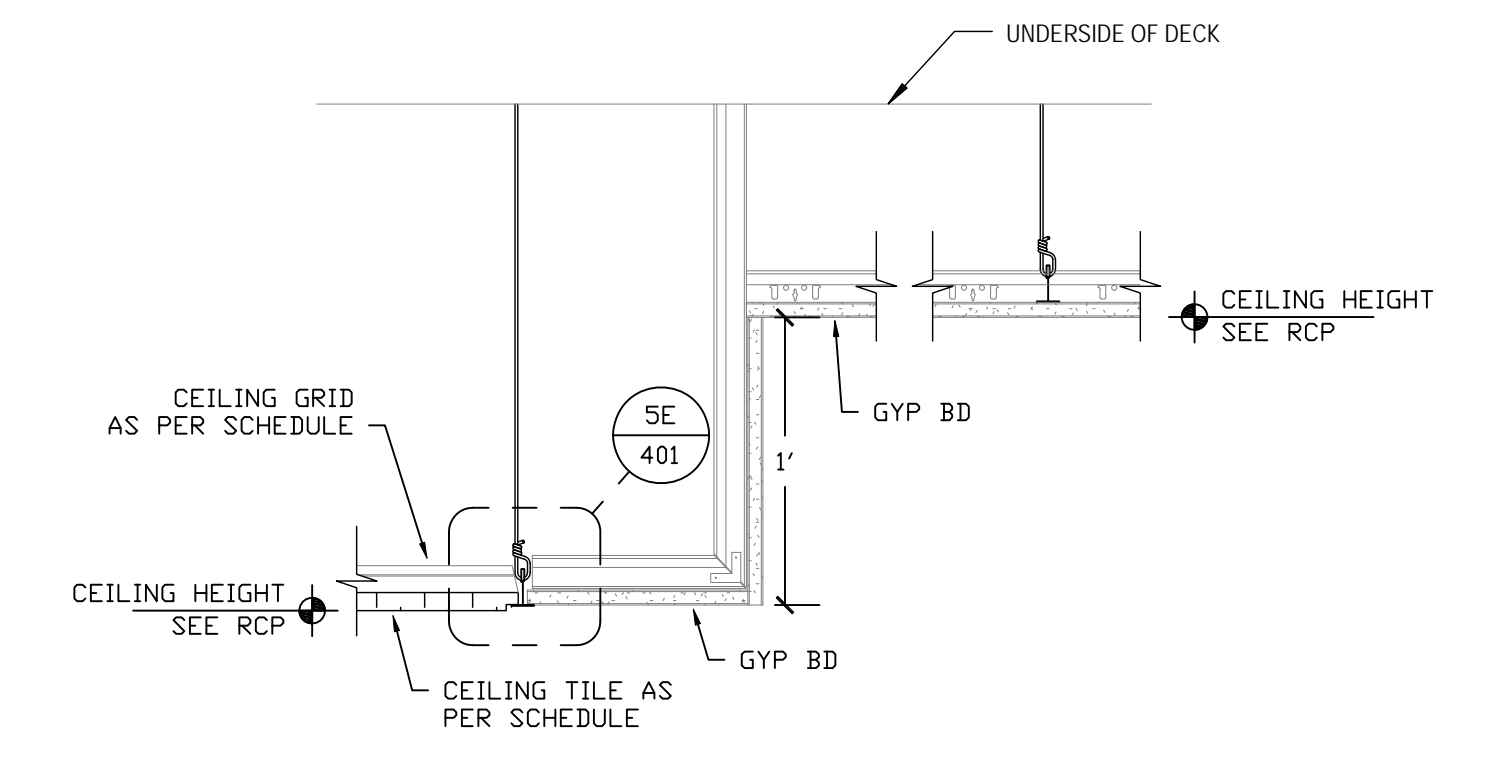
2C CEILING MOUNTED PROJECTOR DETAIL
1/2"=1'-0"



2A TYP ACT CEILING DETAIL
3/4"=1'-0"



5E TYP ACT CEILING DETAIL
3/4"=1'-0"



5D TYP ACT CEILING DETAIL
1/2"=1'-0"

No.	REVISIONS	DATE
-	SUBMITTAL NO. 1	02/10/14

SLOAN & COMPANY, INC.
39 FAIRFIELD PL. WEST CALDWELL, N.J. 07096
PHONE: 973.847.6555 FAX: 973.847.6522
THIS PLAN FOR SLOAN & COMPANY, INC.
ONLY. SLOAN & COMPANY, INC. IS NOT
RESPONSIBLE FOR ITS USE BY ANY OTHER
TRADE.

JOB NAME: NEW CENTER FOR ENVIRONMENTAL AND LIFE SCIENCES - MSU
DRAWING TITLE: REFLECTED CEILING PLAN DETAILS

MONTCLAIR STATE UNIVERSITY, MONTCLAIR, NJ SCALE: AS NOTED DRAWN: KAPPA	DATE: 01/10/2014 CHECKED: SLOAN	DRAWING NO: 401 SLOAN JOB NO.: 13-047 REVISION: 0
---	------------------------------------	---